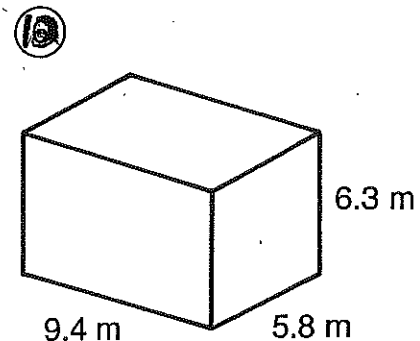
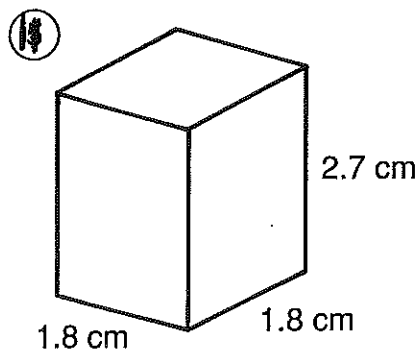
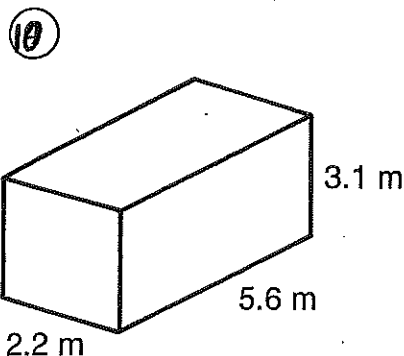
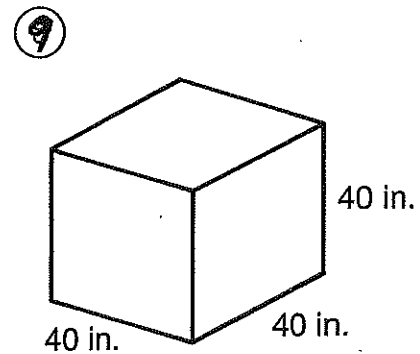
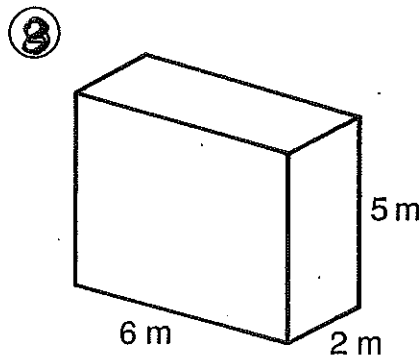
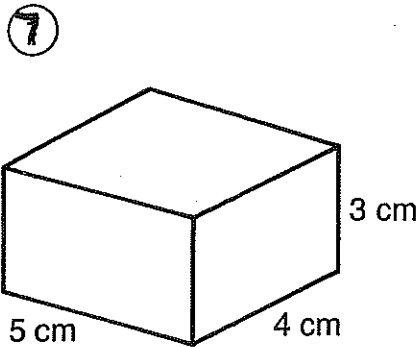
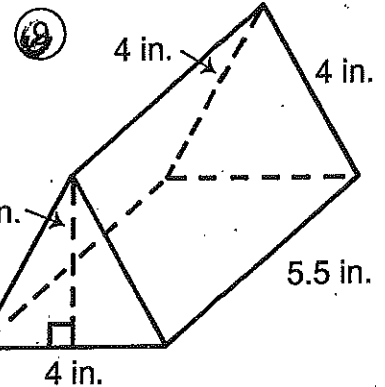
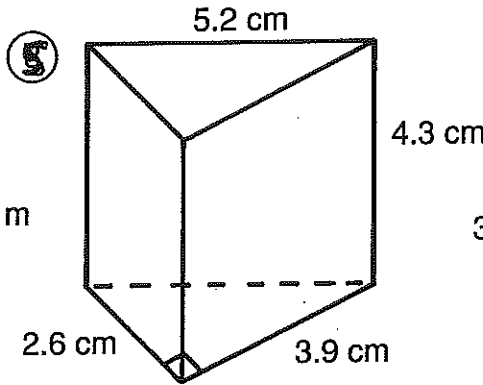
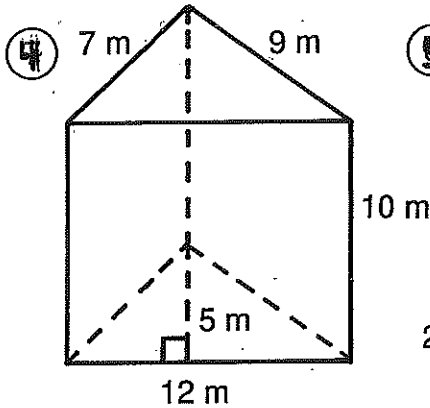
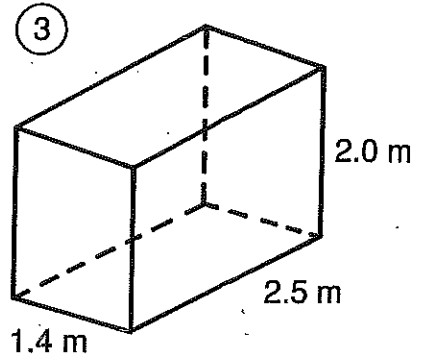
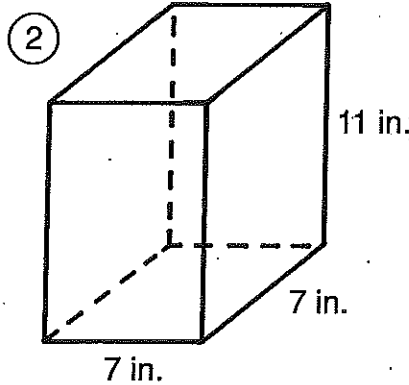
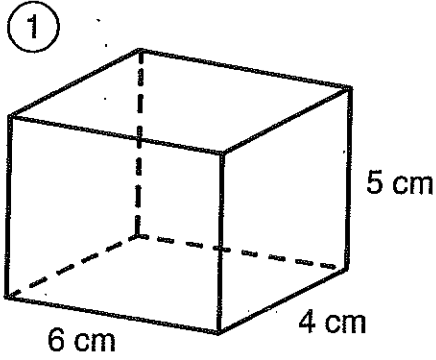


10-4 Practice S.A. Prisms & Cylinders

Name: _____

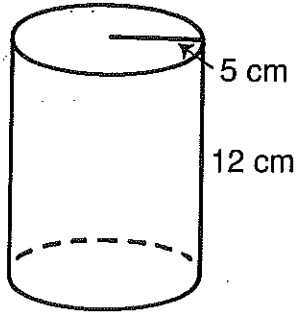
Hour: _____

Find the L.A. & S.A. for each below. Be sure to label units & show all work.



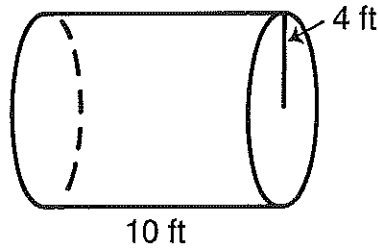
Cylinders

I. Find the lateral area and the total surface area of each cylinder.



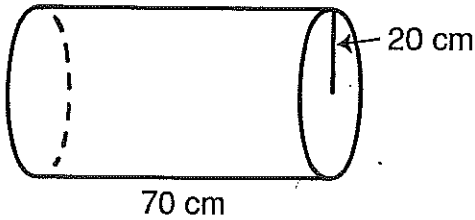
① lateral area: _____

② total area: _____



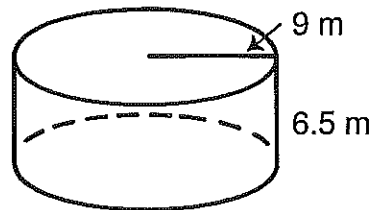
③ lateral area: _____

④ total area: _____



⑤ lateral area: _____

⑥ total area: _____



⑦ lateral area: _____

⑧ total area: _____

II. Find the total surface area of each cylinder.

⑨ $r = 3$ cm
 $h = 10$ cm

⑩ $r = 8$ in.
 $h = 8$ in.

⑪ $d = 10.8$ m
 $h = 2.6$ m

III. Solve.

⑫ A can of tomato juice is a cylinder with a radius of 7.5 cm and a height of 20 cm. What is the area of the label around the can?

⑬ A steel oil tank is a cylinder with a diameter of 12 ft and a height of 18 ft. How many square feet of steel were needed to make the tank?