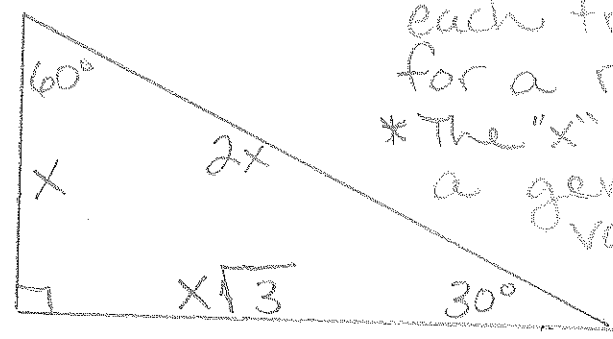
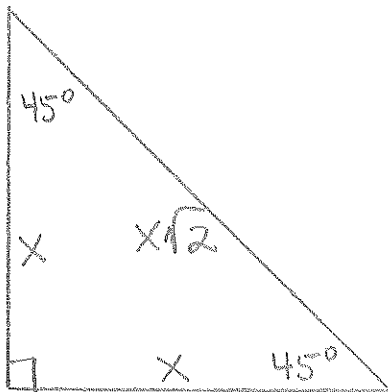


# 7-3 Special Right Triangles

① 45-45-90

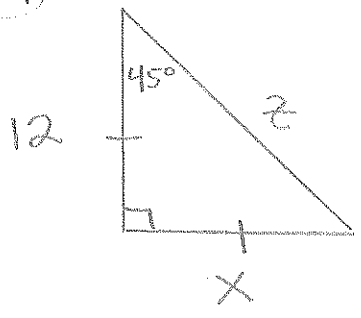
② 30-60-90



\* Notice how "x" is inside each triangle for a reason.  
\* The "x" is just a general variable.

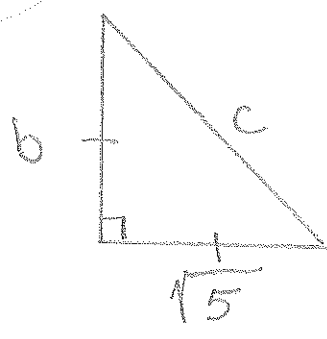
## Examples

#1



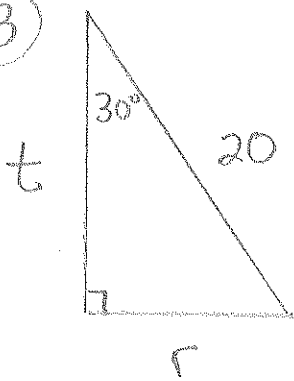
$x =$  \_\_\_\_\_  
 $z =$  \_\_\_\_\_

#2



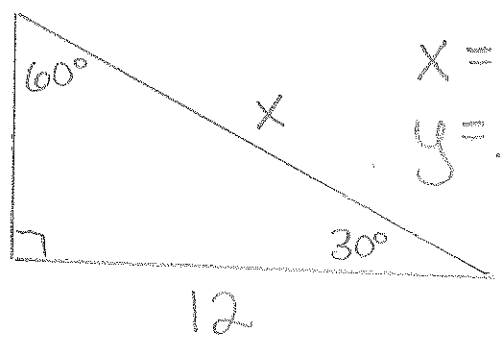
$b =$  \_\_\_\_\_  
 $c =$  \_\_\_\_\_

#3



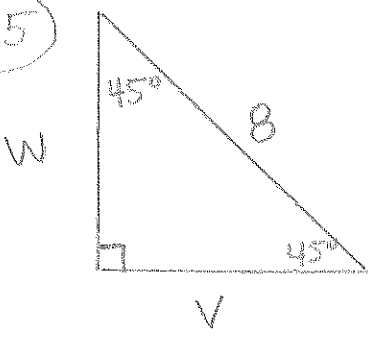
$r =$  \_\_\_\_\_  
 $t =$  \_\_\_\_\_

#4



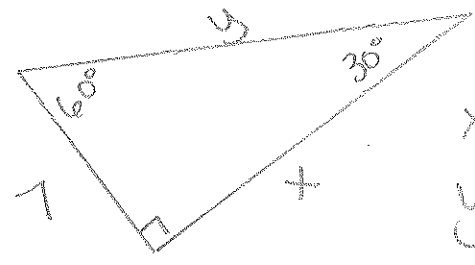
$x =$  \_\_\_\_\_  
 $y =$  \_\_\_\_\_

#5



$v =$  \_\_\_\_\_  
 $w =$  \_\_\_\_\_

#6



$x =$  \_\_\_\_\_  
 $y =$  \_\_\_\_\_